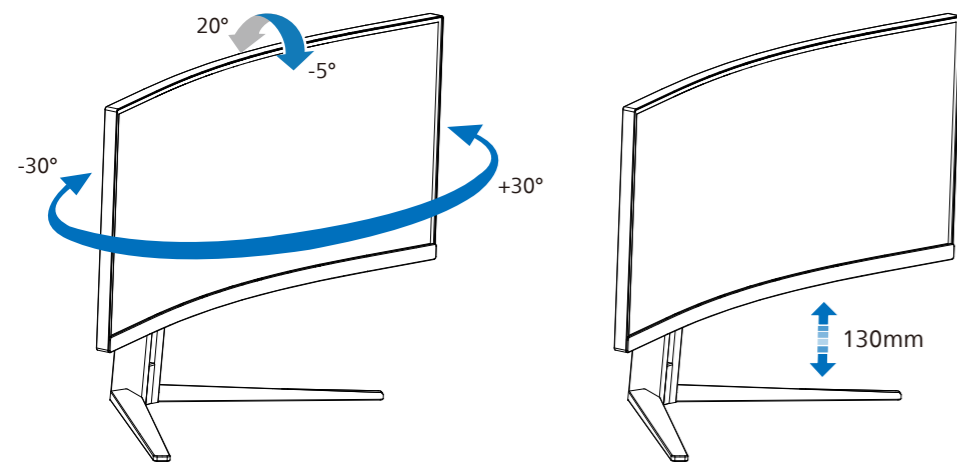
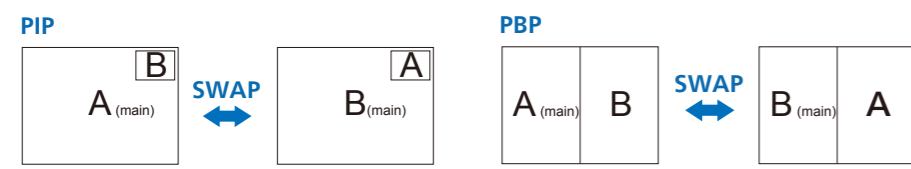


4



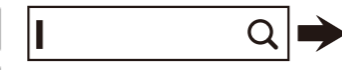
5



| MultiView | SUB SOURCE POSSIBILITY (x1) | | | | |
|------------------|-----------------------------|--------|--------|---------------|---------------|
| | Inputs | HDMI 1 | HDMI 2 | DisplayPort 1 | DisplayPort 2 |
| MAIN SOURCE (x1) | HDMI 1 | ● | ● | ● | ● |
| | HDMI 2 | ● | ● | ● | ● |
| | DisplayPort 1 | ● | ● | ● | ● |
| | DisplayPort 2 | ● | ● | ● | ● |



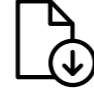
Register your product and get support at www.philips.com/support



FAQ



Software SmartControl



User Manual

Version: 27M2C5500Q1T
2022 © TOP Victory Investments Ltd. All rights reserved.

This product has been manufactured by and is sold under the responsibility of Top Victory Investments Ltd., and Top Victory Investments Ltd. is the warrantor in relation to this product. Philips and the Philips Shield Emblem are registered trademarks of Koninklijke Philips N.V. and are used under license.

Specifications are subject to change without notice.



The Adopted Trademarks HDMI, HDMI High Definition Multimedia Interface, and the HDMI Logo are trademarks or registered trademarks of HDMI Licensing Administrator, Inc. in the United States and other countries.

www.philips.com

Energy Labelling
27M2C5500W



Printed in China



Q41G27M181369A

EVN1A

Quick start

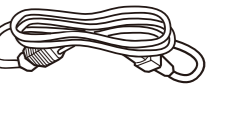
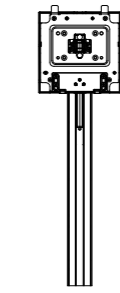
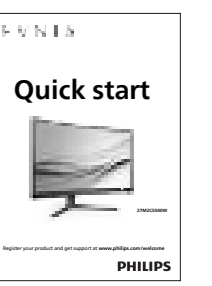
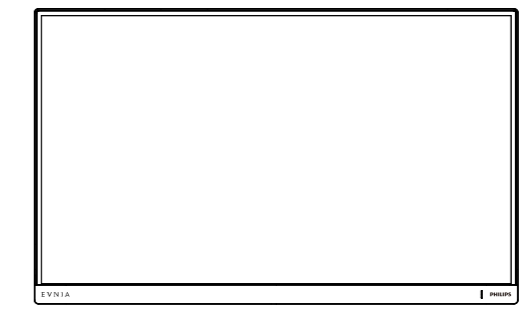


27M2C5500W

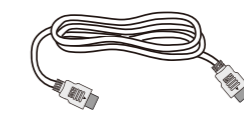
Register your product and get support at www.philips.com/welcome

PHILIPS

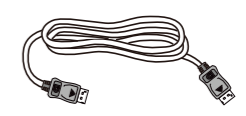
Contents



Power



*HDMI



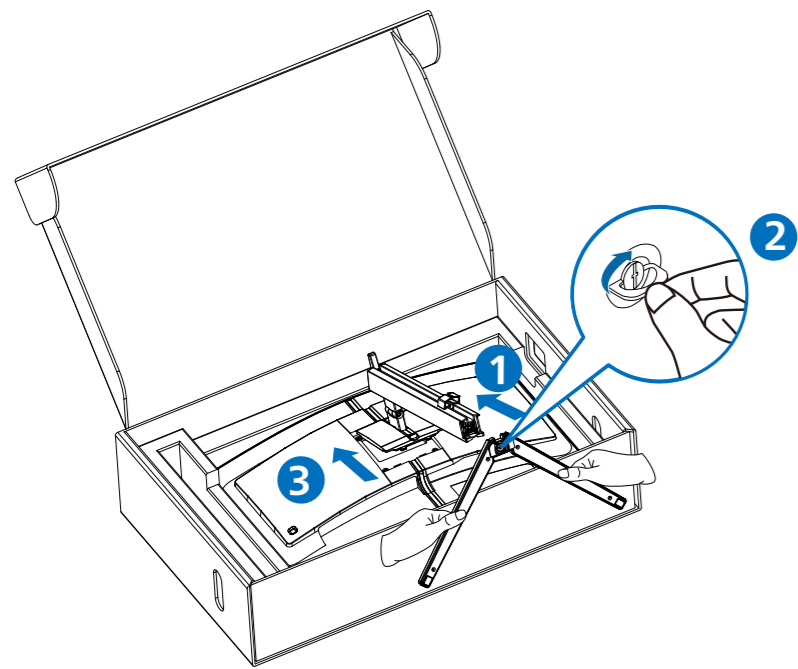
*DP



*USB A-B

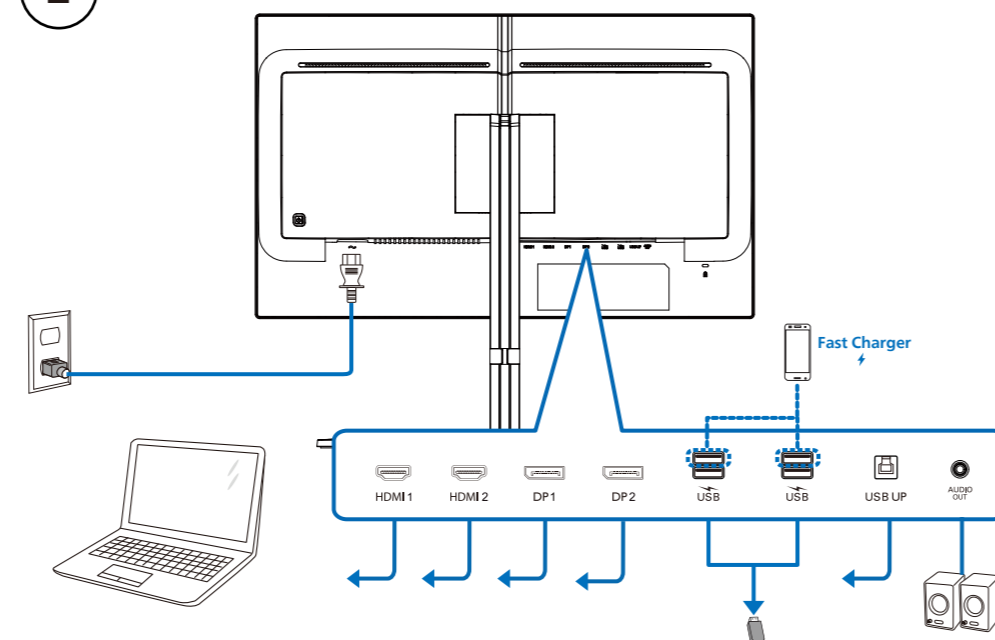
*Different according to region
Display design may differ from that illustrated

1

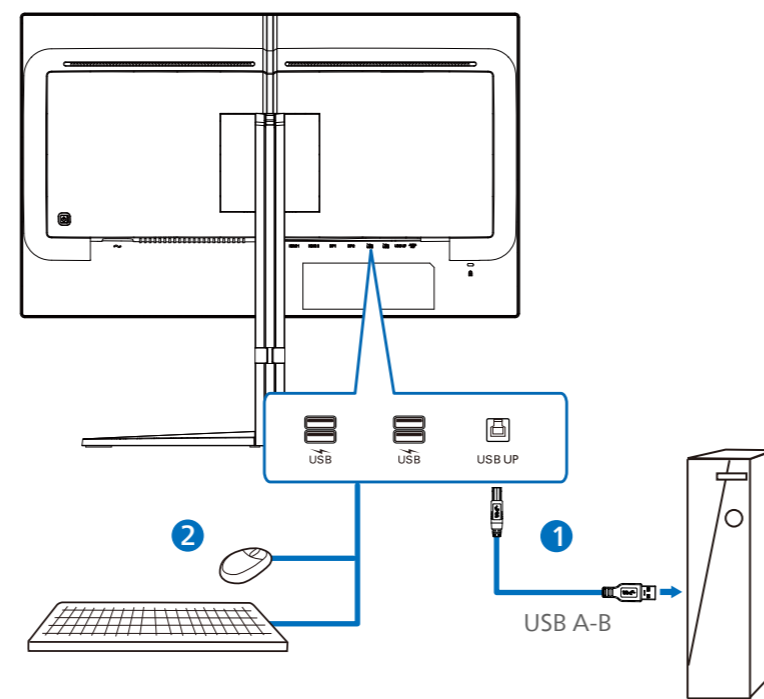


▲ CAUTION: Place the monitor face down on a smooth surface. Pay attention not to scratch or damage the screen.

2



USB hub



3

